



Up
torque™

**GEARING UP FOR
THE REVOLUTION**

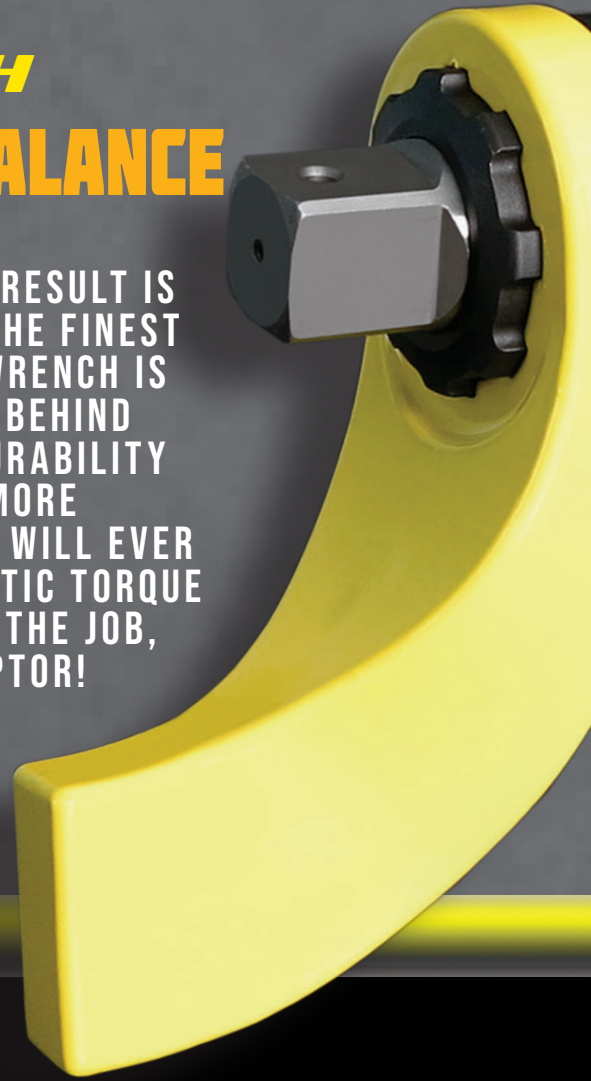
RP PNEUMATIC TORQUE WRENCH

RP

PNEUMATIC TORQUE WRENCH

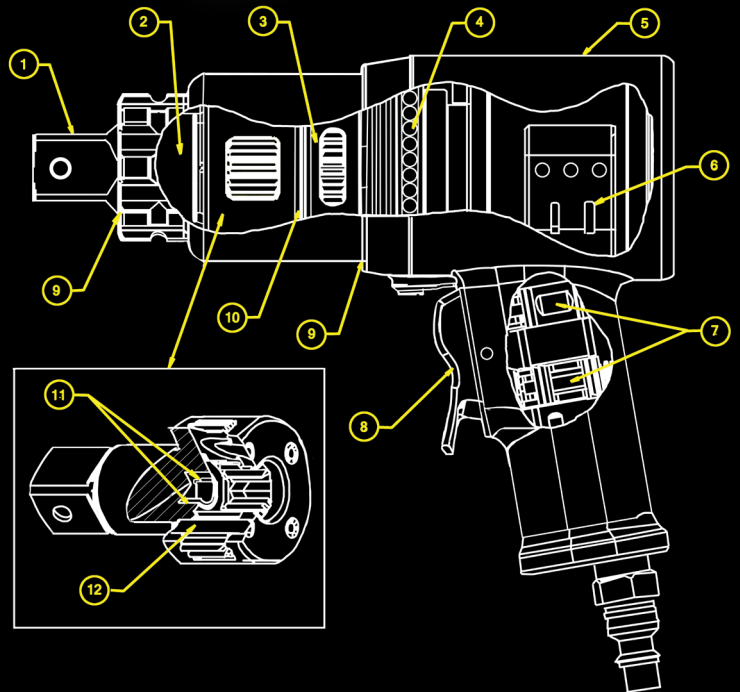
THE WRENCH WITH BALANCE

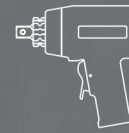
REDESIGNING THE GEAR. OPTIMIZING THE MATERIALS. PERFECTING THE FIT. THAT WAS OUR OBJECTIVE! THE RESULT IS A PNEUMATIC WRENCH THAT IS OPTIMIZED DOWN TO THE FINEST DETAIL. THE BACKBONE OF ANY PNEUMATIC TORQUE WRENCH IS ITS GEARS. THE GEARS THAT ARE THE DRIVING FORCE BEHIND THE RP SERIES ARE DESIGNED WITH AN INCREASED DURABILITY FACTOR. THE FULL LINE OF RAPTOR HAS ENDURED MORE ABUSE FROM LONG TERM TESTING THAN THESE TOOLS WILL EVER EXPERIENCE IN THE FIELD. IF YOU REQUIRE A PNEUMATIC TORQUE WRENCH THAT WILL BE THERE FOR YOU ON THE JOB, LOOK NO FURTHER THAN THE TORCUP RAPTOR!



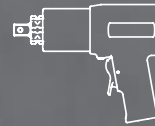
THE POWER INSIDE

1. HARDENED ALLOY STEEL FOR DURABILITY AND LONG CYCLE LIFE
2. BEARINGS SUPPORT THE LOADS EXPERIENCED AT THE SQUARE DRIVE
3. MULTI-STAGE PLANETARY GEAR SYSTEMS WITH OPTIMIZED TOOTH DESIGN
4. SMOOTH BALL BEARING ROTATION OF THE GEARBOX HOUSING INDEPENDENT FROM THE MOTOR HANDLE
5. LIGHTWEIGHT ALUMINUM HANDLE WITH DURABLE, SLIP-RESISTANT TEXTURED COATING
6. ULTRA-EFFICIENT AIR MOTOR DESIGNED FOR EASY MAINTENANCE
7. CARTRIDGE-STYLE VALVES PROVIDE EASY REPLACEMENT
8. ONE FINGER TRIGGER CONTROL FOR FORWARD AND REVERSE
9. O-RINGS SEAL GREASE IN WHILE KEEPING WATER AND DIRT OUT
10. THRUST BEARING BETWEEN STAGES ISOLATE THE MOTOR WHEN USED IN ALL ORIENTATIONS
11. GEARS RUN ON LOW FRICTION, HIGH STRENGTH BEARING SLEEVES
12. TOOL STEEL PINS IN EACH STAGE CARRIER





RP-500 SINGLE SPEED
TORQUE RANGE 78-530 LBF-FT
FREE SPEED 16.5-44 RPM



RP-1000 SINGLE SPEED
TORQUE RANGE 148-1030 LBF-FT
FREE SPEED 7-15 RPM



RP-2000 SINGLE SPEED
TORQUE RANGE 231-2015 LBF-FT
FREE SPEED 3.5-9 RPM



RP-3000 SINGLE SPEED
TORQUE RANGE 484-3070 LBF-FT
FREE SPEED 1.75-4 RPM

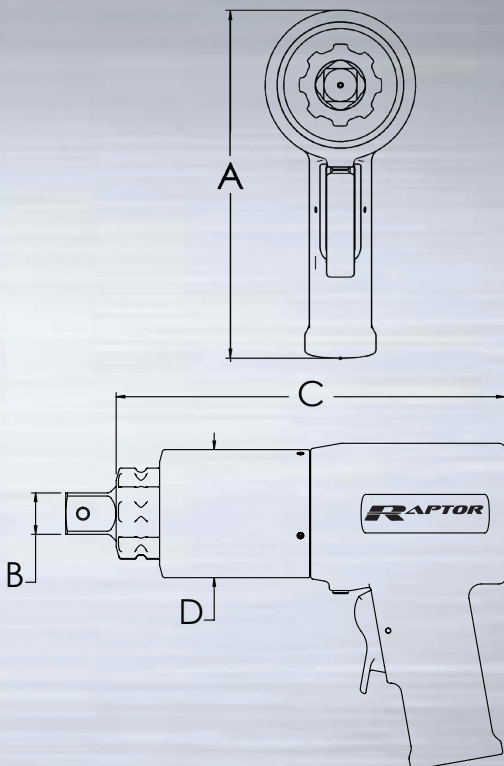


RP-6000 SINGLE SPEED
TORQUE RANGE 714-6000 LBF-FT
FREE SPEED 1.25-3 RPM

Requirements: Air Pressure 10-90 psi - Flow 45-55 CFM

WWW.TORCUP.COM

POWER ENGINEERED



MODEL NUMBER	RP-500	RP-1000	RP-2000	RP-3000	RP-6000
SQUARE DRIVE	3/4"	1"	1"	1"	1 1/2"
MIN. TORQUE (lbf-ft)	78	148	231	484	714
MAX. TORQUE (lbf-ft)	530	1030	2015	3070	6000
MIN. TORQUE (nm)	106	201	313	656	968
MAX. TORQUE (nm)	719	1396	2732	4162	8121
HEIGHT A (in)	7.89"	7.89"	7.89"	8.06"	8.69"
HEIGHT A (mm)	200.4	200.4	200.4	204.7	220.7
SQUARE DRIVE B (in)	0.75"	1"	1"	1"	1.5"
SQUARE DRIVE B (mm)	19.1	25.4	25.4	25.4	38.1
LENGTH C (in)	6.59"	8.87"	9.40"	11.62"	12.32"
LENGTH C (mm)	167.4	225.3	238.8	295.2	312.9
DIAMETER D (in)	3.12"	2.85"	3.09"	3.75"	5.00"
DIAMETER D (mm)	79.2	72.4	78.5	95.3	127.0
WEIGHT (lbs) w/o arm	9	12	16	20	36
WEIGHT (kg) w/o arm	4.1	5.4	7.3	9.1	16.3
PERFORMANCE DATA					
RPM @ 10 psi	16.5	7	3.5	1.75	1.25
RPM @ MAX psi	44	15	9	4	3
TOOL MAX psi	80	70	90	65	90

*Reference values only. Consult calibration torque chart provided with tool.



RP SERIES PNEUMATIC TORQUE WRENCH

SPEED - WE REVOLUTIONIZE THROUGH EFFICIENCY!
WEIGHT - WE CUT WEIGHT WITHOUT SACRIFICING DURABILITY!
STRENGTH - WE KNOW HOW TO MAKE ALLOYS PERFORM!

SLIDING STRAIGHT REACTION ARM



STRAIGHT REACTION ARM



LONG EXTENDED REACTION ARM



NOSE EXTENSION

FRL UNIT



MULTI POSITION HANDLE



RP-FRL

Control torque output

Air pressure measured with PSI/ BAR liquid filled gauge

Adjustable lubricator for proper "Air Tool Oil" drip.

Ergonomic FRL frame in safety yellow with hose storage.

Dimensions:

Width 9" Height 12" Length 12"
 Weight 12.0 lbs / 5.4 kg

CARRYING CASE



WORLDWIDE HEADQUARTERS
 1025 CONROY PLACE
 EASTON, PA 18040 USA
 TOLL FREE: 1-888-TORCUP-1
 TELEPHONE: 1-610-250-5800
 FAX: 1-610-250-2700

WWW.TORCUP.COM

