



Torque
**TAKE CHARGE
OF YOUR BOLTING**

VTR BATTERY TORQUE WRENCH

VTR

BATTERY TORQUE WRENCH

ACCURATE. RELIABLE. INDUSTRIAL PERFORMANCE

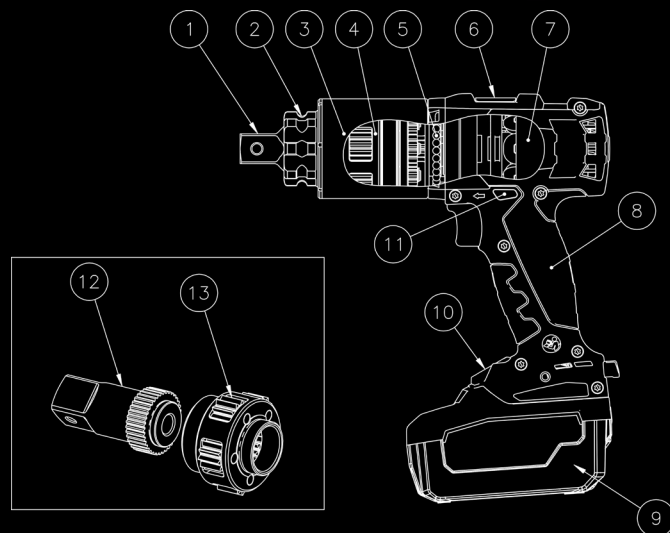
FROM OUR EXPERIENCE, WE HAVE LEARNED PERFECTION. THE FIRST VOLTA SERIES WRENCH CHANGED EVERYTHING IN THE INDUSTRIAL TORQUE TOOL INDUSTRY. WITH THE VOLTA-R SERIES WE NOW ELEVATE PERFECTION TO A NEW LEVEL. ENGINEERED TO PROVIDE INCREASED TORQUE, INCREASED DURABILITY, INCREASED SPEED WHILE DECREASING WEIGHT. ALL OF THESE WILL PROVIDE THE OPERATOR WITH AN INDUSTRIAL BATTERY TORQUE WRENCH CAPABLE OF COMPLETING YOUR JOB MORE EFFICIENTLY IN EVERY WAY.

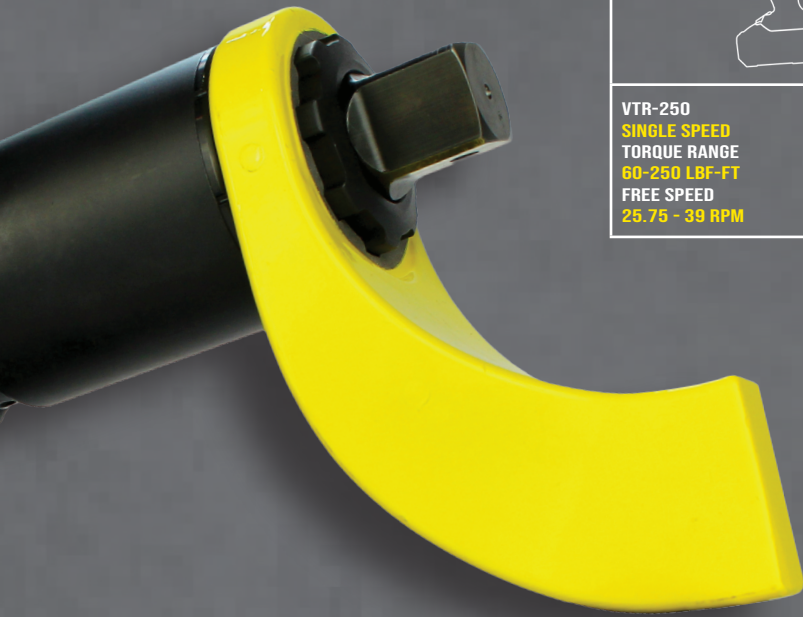
WWW.TORCUP.COM

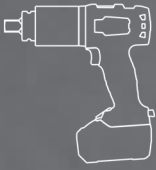
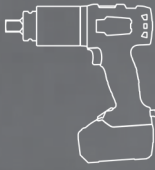







THE POWER INSIDE

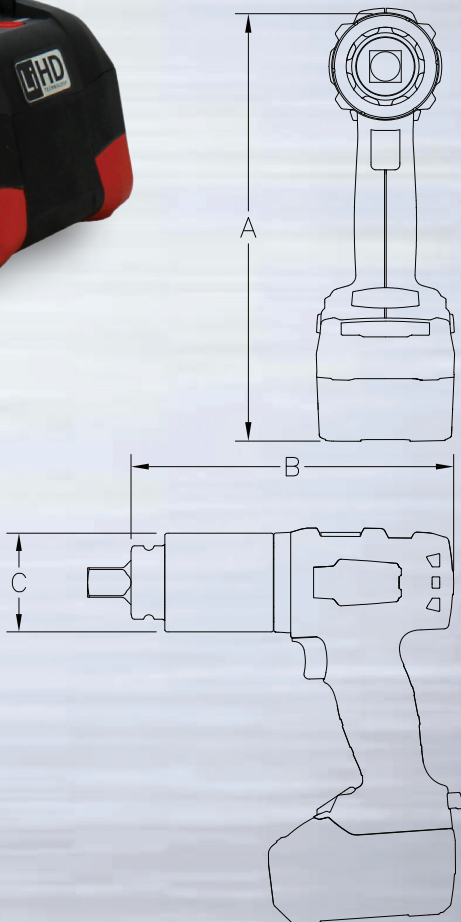
1. AMERICAN AQ CERTIFIED ALLOYS
2. O-RINGS SEAL GREASE IN WHILE KEEPING DIRT AND WATER OUT
3. INDUSTRY LEADING ROBUST GEARBOX DESIGN
4. MULTI-STAGE PLANETARY GEAR SYSTEM
5. SMOOTH BALL BEARING ROTATION OF THE GEARBOX HOUSING FOR INDEPENDENT MOVEMENT FROM THE MOTOR HANDLE
6. OPTIONAL SAFETY SWITCH FOR 2 HAND OPERATION (ADD ON)
7. HIGH-EFFICIENCY BRUSHLESS MOTOR
8. ERGONOMIC NYLON HANDLE WITH A DURABLE SLIP-RESISTANT OVERMOLD
9. 18V, 8.0 AH LIHD BATTERY WITH WORLDWIDE AVAILABILITY
10. LCD DISPLAY FOR SETTING TORQUE AND ENGINEERING UNITS (LBF-FT/NM)
11. EFFORTLESS CW AND CCW DIRECTIONAL CONTROL
12. FIELD SERVICEABLE-REMOVABLE SQUARE DRIVE
13. OPTIMIZED TOOTH DESIGN FOR ULTIMATE STRENGTH AND LONGEVITY





			
VTR-250 SINGLE SPEED TORQUE RANGE 60-250 LBF-FT FREE SPEED 25.75 - 39 RPM	VTR-500 SINGLE SPEED TORQUE RANGE 80-500 LBF-FT FREE SPEED 12.25 - 19 RPM	VTR-750-.75/VTR-750 SINGLE SPEED TORQUE RANGE 100-750 LBF-FT FREE SPEED 8.4 - 12.5 RPM	VTR-1000-.75/VTR-1000 SINGLE SPEED TORQUE RANGE 200-1000 LBF-FT FREE SPEED 6 - 8.25 RPM
			
VTR-2000 SINGLE SPEED TORQUE RANGE 400-2000 LBF-FT FREE SPEED 3 - 4.75 RPM	VTR-3000 SINGLE SPEED TORQUE RANGE 650-3000 LBF-FT FREE SPEED 2.25 - 3.25 RPM	VTR-5000 SINGLE SPEED TORQUE RANGE 800-5000 LBF-FT FREE SPEED 1.1 - 1.75 RPM	

POWER ENGINEERED



MODEL NUMBER	VTR-250	VTR- 500	VTR-750	VTR-1000
SQUARE DRIVE	3/4"	3/4"	3/4" 1"	3/4" 1"
MIN. TORQUE (lbf-ft)	60	80	100	200
MAX TORQUE (lbf-ft)	250	500	750	1000
MIN. TORQUE (Nm)	80	110	140	280
MAX TORQUE (Nm)	340	680	1020	1360
HEIGHT A (w/ battery) (in)	10.04	10.04	10.09	10.09
HEIGHT A (w/ battery) (mm)	255.0	225.0	256.3	256.3
LENGTH B (in)	8.17	8.17	9.18	9.18
LENGTH B (mm)	207.5	207.5	233.2	233.2
DIAMETER C (in)	2.50	2.50	2.85	2.85
DIAMETER C (mm)	63.5	63.5	72.4	72.4
WEIGHT (w/o reaction arm & battery) (lbs)	6.55	6.55	9	9
WEIGHT (w/o reaction arm & battery) (kg)	2.97	2.97	4.08	4.08
WEIGHT (w/ reaction arm & battery) (lbs)	10.85	10.85	14.15	14.15
WEIGHT (w/ reaction arm & battery) (kg)	4.92	4.92	6.42	6.42
RPM at Min. Torque	25.75	12.25	8.4	6
RPM at Max Torque	39	19	12.5	8.25

MODEL NUMBER	VTR-2000	VTR-3000	VTR-5000
SQUARE DRIVE	1"	1"	1 1/2"
MIN. TORQUE (lbf-ft)	400	650	800
MAX TORQUE (lbf-ft)	2000	3000	5000
MIN. TORQUE (Nm)	540	920	1080
MAX TORQUE (Nm)	2710	4070	6780
HEIGHT A (w/ battery) (in)	10.24	10.41	10.91
HEIGHT A (w/ battery) (mm)	260.1	264.4	277.2
LENGTH B (in)	9.75	10.39	11.83
LENGTH B (mm)	247.7	263.9	300.5
DIAMETER C (in)	3.15	3.50	4.50
DIAMETER C (mm)	80.0	88.9	114.3
WEIGHT (w/o reaction arm & battery) (lbs)	11.5	14.35	25.95
WEIGHT (w/o reaction arm & battery) (kg)	5.22	6.51	11.77
WEIGHT (w/ reaction arm & battery) (lbs)	16.65	19.5	36.05
WEIGHT (w/ reaction arm & battery) (kg)	7.55	8.85	16.35
RPM at Min. Torque	3	2.25	1.1
RPM at Max Torque	4.75	3.25	1.75

Charger Requirements: 110 - 120 V (50-60 Hz)
230 - 240 V (50-60 Hz)



VTR SERIES

BATTERY-POWERED TORQUE WRENCH

PORTABLE - LITHIUM BATTERY POWER
UNIVERSAL - GLOBAL CHARGING PLATFORM
REPEATABLE - HIGH-EFFICIENCY BRUSHLESS MOTOR

SLIDING STRAIGHT REACTION ARM



STRAIGHT REACTION ARM



LONG EXTENDED REACTION ARM



VOLTA CHARGER



VOLTA BATTERY



NOSE EXTENSION



TOOL CARRYING CASE



WORLDWIDE HEADQUARTERS

1025 CONROY PLACE

EASTON, PA 18040 USA

TOLL FREE: 1-888-TORCUP-1

TELEPHONE: 1-610-250-5800

FAX: 1-610-250-2700

WWW.TORCUP.COM

