



torquUp

**A TOOL WITH
MULTIPLE PERSONALITIES**

TX LOW PROFILE TORQUE WRENCH

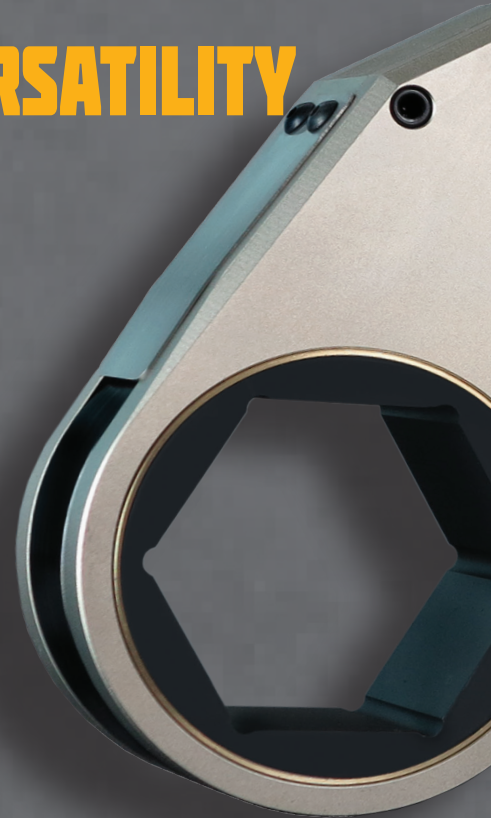
TX

LOW PROFILE HYDRAULIC TORQUE WRENCH

THE WRENCH WITH VERSATILITY

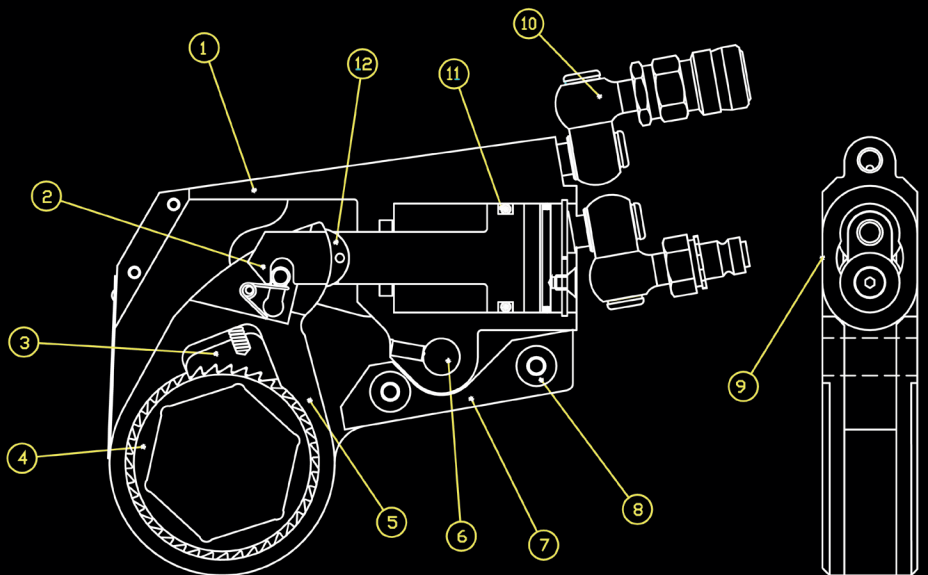
THE WORLD'S MOST CHALLENGING BOLTING JOBS REQUIRE A HYDRAULIC TORQUE WRENCH THAT CAN GO "FLAT OUT." APPLICATIONS WITH RESTRICTIONS ABOVE, AROUND AND BEHIND THE NUT DEMAND A TOOL THAT CAN GET FLAT AND GET ON THE JOB. THE TX SERIES WAS THE FIRST FLAT HYDRAULIC WRENCH TO CONQUER ALL LIMITATIONS ... AND THEN SOME!!

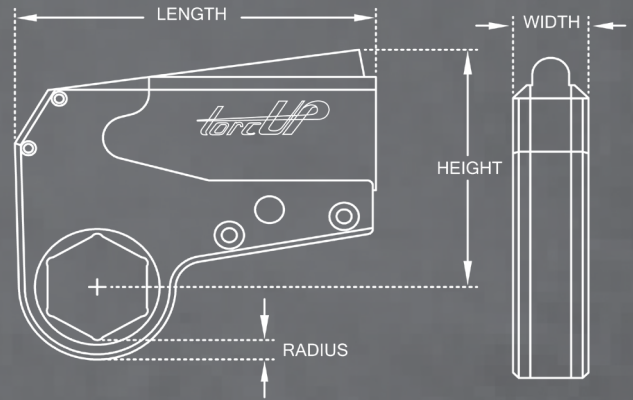
INDUSTRY NOT ONLY REQUIRES A TOOL THAT GETS IN ... BUT ONE THAT WORKS BEYOND THE JOB-SITE EXPECTATION. WITH 20 YEARS OF PROVEN SUCCESS IN THE HARSHTEST ENVIRONMENTS, THE ONLY WRENCH TRULY CAPABLE OF GOING "FLAT OUT" IS THE TORCUP TX SERIES.



THE POWER INSIDE

1. PATENTED "PEANUT-SHAPED" CYLINDER
2. ENGAGEMENT ROD
3. NEVER-LOCK DRIVE PAWL
4. MULTI-TOOTH RATCHET
5. ONE PIECE DRIVE PLATE
6. LINK PIN
7. IN-LINE REACTION PAD
8. STEEL ALIGNMENT PIN
9. COMPLETELY FLAT DESIGN
10. 360° X 360° SWIVEL
11. PROPRIETARY PISTON SEAL
12. SLIDER PREVENTS WEAR OF PISTON



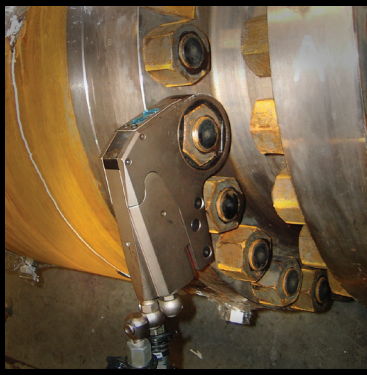
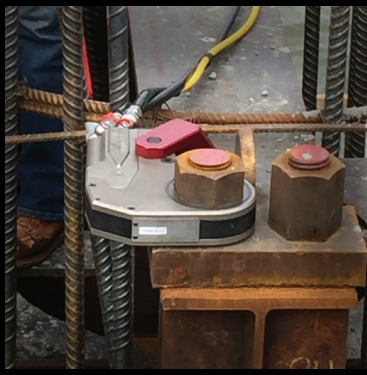


WWW.TORCUP.COM

POWER ENGINEERED

| MODEL NUMBER | TX-1 | TX-2 | TX-4 | TX-8 | TX-16 | TX-32 | TX-45 |
|------------------------|-----------|--------------|-------------|--------------|---------------|--------------|--------------|
| MIN. TORQUE (lbf-ft)* | 45 | 192 | 395 | 830 | 1560 | 3220 | 4850 |
| MAX. TORQUE (lbf-ft)* | 560 | 1928 | 3950 | 8630 | 16600 | 35650 | 47380 |
| MIN. TORQUE (nm)* | 61 | 260 | 535 | 1125 | 2115 | 4365 | 6575 |
| MAX. TORQUE (nm)* | 759 | 2614 | 5355 | 11699 | 22503 | 48327 | 64239 |
| OUTPUT ACCURACY | +/-3% | +/-3% | +/-3% | +/-3% | +/-3% | +/-3% | +/-3% |
| REPEATABILITY | 100% | 100% | 100% | 100% | 100% | 100% | 100% |
| DUTY CYCLE | 100% | 100% | 100% | 100% | 100% | 100% | 100% |
| CYLINDER WEIGHT (lbs) | 1.0 | 3.5 | 6.0 | 11.7 | 16.0 | 26.0 | 29.0 |
| CYLINDER WEIGHT (kgs) | 0.5 | 1.6 | 2.7 | 5.0 | 7.3 | 11.5 | 13.0 |
| LINK WEIGHT FROM (lbs) | 1.0 | 2.4 | 5.4 | 11.9 | 21.0 | 29.0 | 29.0 |
| LINK WEIGHT TO (lbs) | 1.0 | 3.5 | 7.6 | 14.5 | 28.0 | 39.5 | 39.5 |
| LINK WEIGHT FROM (kgs) | 0.45 | 1.0 | 2.4 | 5.5 | 9.5 | 13.0 | 13.0 |
| LINK WEIGHT TO (kgs) | 0.45 | 1.5 | 3.4 | 6.5 | 13.0 | 17.9 | 17.9 |
| LENGTH (in) | 4.37 | 6.45 | 7.87 | 10.18 | 12.93 | 15.80 | 16.75 |
| LENGTH (mm) | 111.0 | 163.8 | 199.9 | 258.6 | 328.4 | 401.3 | 425.5 |
| WIDTH (in) | 0.78 | 1.25 | 1.63 | 2.05 | 2.50 | 3.24 | 4.88 |
| WIDTH (mm) | 19.8 | 31.8 | 41.4 | 52.1 | 63.5 | 82.3 | 124.0 |
| RADIUS RANGE FROM (in) | 0.24 | 0.37 | 0.41 | 0.56 | 0.68 | 0.96 | 0.96 |
| RADIUS RANGE TO (in) | 0.45 | 0.59 | 0.77 | 0.93 | 1.68 | 1.82 | 1.82 |
| RADIUS RANGE FROM (mm) | 6.2 | 9.6 | 10.5 | 14.2 | 17.1 | 24.3 | 24.3 |
| RADIUS RANGE TO (mm) | 11.4 | 15.0 | 18.7 | 21.0 | 25.9 | 44.2 | 44.2 |
| HEIGHT (in) | 3.25 | 4.0 | 5.6 | 7.0 | 7.58 | 9.5 | 10.28 |
| HEIGHT (mm) | 82.6 | 101.6 | 142.2 | 177.8 | 192.5 | 241.3 | 261.1 |
| HEX RANGE FROM | 1/2"/13mm | 3/4"/19mm | 1"/27mm | 1 7/8"/49mm | 2 3/16"/55mm | 3 1/8"/80mm | 3 1/8"/80mm |
| HEX RANGE TO | 2"/50mm | 2 9/16"/65mm | 3 1/8"/80mm | 4 5/8"/120mm | 5 5/16"/135mm | 7 7/8"/200mm | 7 7/8"/200mm |

*Reference values only. Consult calibration torque chart provided with tool.



TX SERIES
LOW PROFILE
HYDRAULIC TORQUE WRENCH

FLAT - ACCESS THE INACCESSIBLE
PROVEN - USED ON JOB-SITES WORLDWIDE
SUPERIOR - AIRCRAFT QUALITY ALLOY

LOW POINT
REACTION PADDLE



CLOSED SPANNER
WRENCH



INLINE
REACTION
ARM



HEX TO SQUARE
DRIVE ADAPTOR



TOOL HANDLE



HEX REDUCER



Worldwide Headquarters

1025 Conroy Place

Easton, PA 18040 USA

TOLL FREE: 1-888-TorcUP-1

TELEPHONE: 1-610-250-5800

FAX: 1-610-250-2700

www.torcup.com



TX SERIES

Made In USA

Seven Models From 45 lbf-ft to
64,000 lbf-ft

Every Unit Calibrated In
ISO17025 Laboratory

Manufactured With AQ
Certified Alloys

Genuine TorcUP Design

CARRYING
CASE

